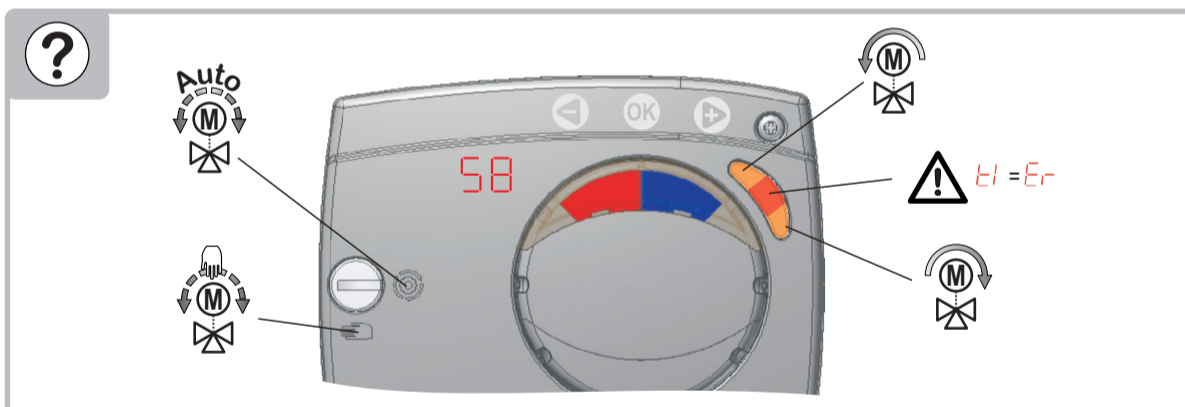
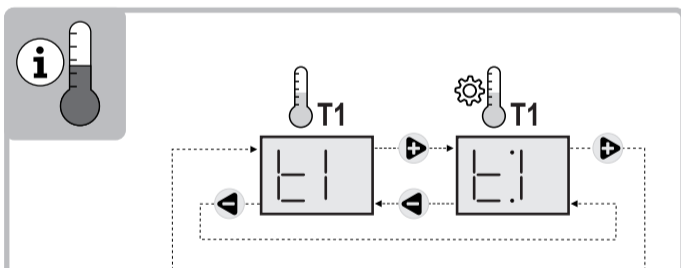
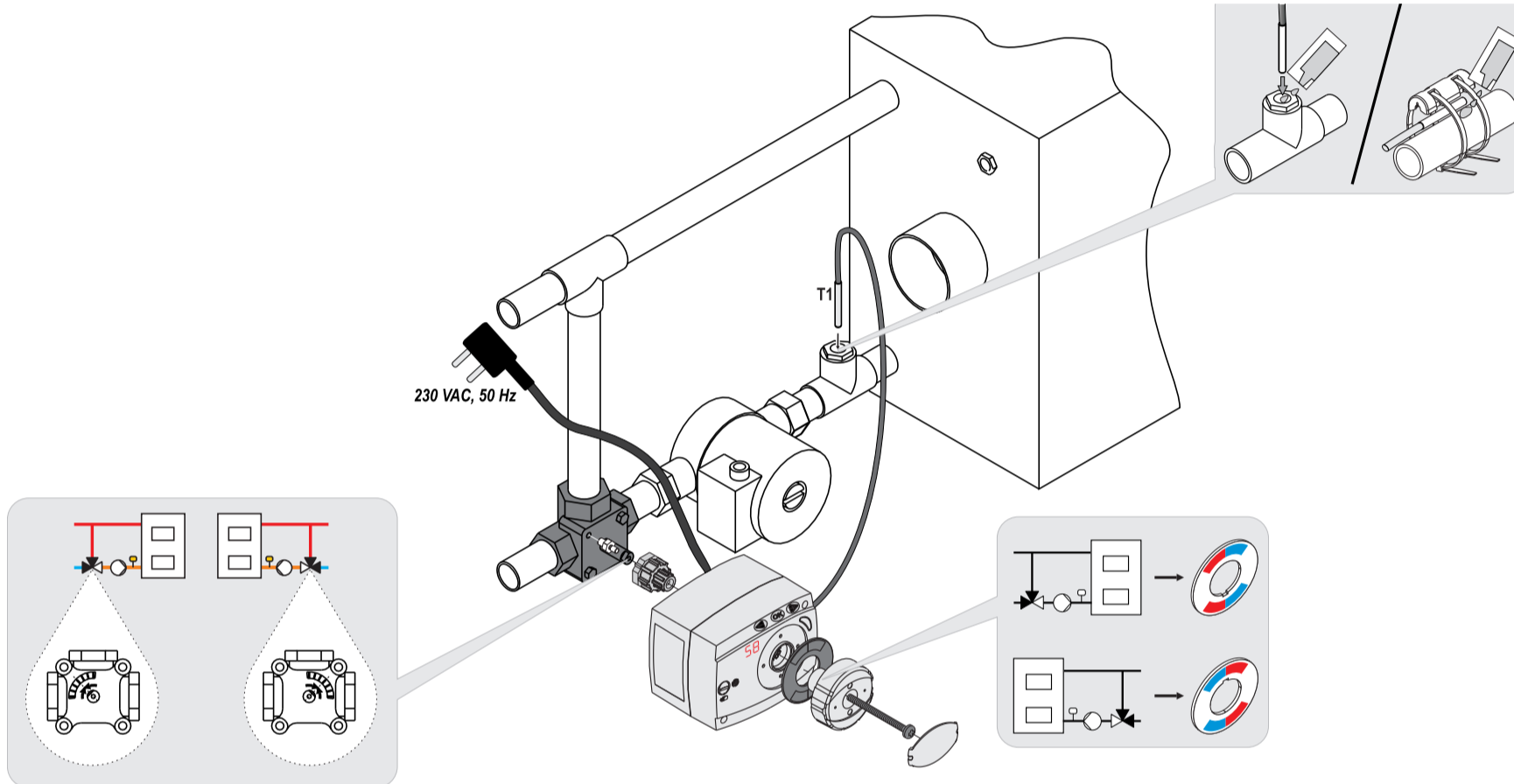
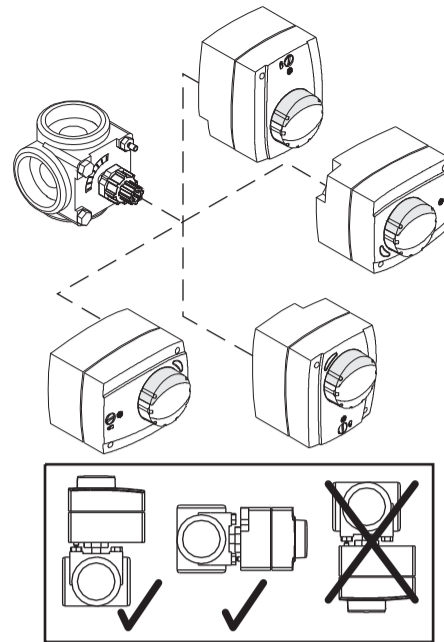

ASCAVMSB*	Termoventiler, Esbe, Seltron, Somatherm, Acaso, IVAR, PAW, Hora, BRV, IMIT, Barberi, Olymp, Hoval, Vexve, LK
ASCAVMSC	Centra DR/ZR
ASCAVMSD	Centra DRU
ASCAVMSSE	Siemens VBI/VBF/VBGVCI
ASCAVMSF	Meibes, Wita
ASCAVMSG*	Esbe VRG/VRB
ASCAVMSH	FIRST Rotomix, Rotodivert

\* = Standard



## Svenska

### Tekniska data

Strömförsörjning = 230 VAC, 50 Hz  
 Strömförbrukning = <1 VA  
 Givare = Pt1000 (1080 Ω @ 20°C)  
 Vridmoment = 13 Nm  
 Gångtid/vridningsvinkel = 2 min/90°  
 Reglertyp = PID  
 Mjukvaruklass = A  
 Skyddsklass = I  
 Kapslingsklass = IP42  
 Storlek (L x B x H) = 103 x 84 x 92 mm  
 Förvaringstemperatur = -20 ÷ 65°C  
 Arbetstemperatur = 0 ÷ 60°C  
 Luftfuktighet = 0 ÷ 80 % Rh, icke kondenserande

## Française

### Caractéristiques techniques

Alimentation = 230 VAC, 50 Hz  
 Consommation d'énergie = <1 VA  
 Sonde = Pt1000 (1080 Ω @ 20 °C)  
 Couple = 13 Nm  
 Exécution d'angle = 2 min/90 °  
 Type de régulateur = PID  
 Classe de logiciel = A  
 Classe de protection = I  
 Degré de protection = IP42  
 Dimensions (L x P x H) = 103 x 84 x 92 mm  
 Température de stockage = -20 ÷ 65 °C  
 Température de fonctionnement = 0 ÷ 60 °C  
 Humidité = 0 ÷ 80% RH, sans condensation

## English

### Technical specifications

Power supply = 230 VAC, 50 Hz  
 Power consumption = <1 VA  
 Sensor = Pt1000 (1080 Ω @ 20 °C)  
 Torque = 13 Nm  
 Running angle = 2 min/90°  
 Controller type = PID  
 Software class = A  
 Safety class = I  
 Degree of protection = IP42  
 Size (L x W x H) = 103 x 84 x 92 mm  
 Storage temperature = -20 ÷ 65 °C  
 Operation temperature = 0 ÷ 60 °C  
 Humidity = 0 ÷ 80 % Rh, non condensing

## Italiano

### Specifiche tecniche

Alimentazione = 230 VAC, 50 Hz  
 Consumo = <1 VA  
 Sensore = Pt1000 (1080 Ω @ 20 °C)  
 Coppia = 13 Nm  
 Esecuzione di angolo = 2 min/90 °  
 Tipo di regolatore = PID  
 Classe di software = A  
 Classe di protezione = I  
 Grado di protezione = IP42  
 Dimensioni (L x P x A) = 103 x 84 x 92 mm  
 Temperatura di conservazione = -20 ÷ 65 °C  
 Temperatura di esercizio = 0 ÷ 60 °C  
 Umidità = 0 ÷ 80% RH, senza condensa

## Deutsch

### Technische Daten

Versorgungsspannung = 230 VAC, 50 Hz  
 Leistungsaufnahme = <1 VA  
 Temperaturfühler = Pt1000 (1080 Ω @ 20 °C)  
 Drehmoment = 13 Nm  
 Drehgeschwindigkeit = 2 min/90°  
 Reglertyp = PID  
 Software Klasse = A  
 Schutzart = IP42  
 Maße (B x L x H) = 103 x 84 x 92 mm  
 Lagertemperatur = -20 ÷ 65 °C  
 Betriebstemperatur = 0 ÷ 60 °C  
 Luftfeuchtigkeit = 0 ÷ 80% RH, nicht kondensierend

## Slovenščina

### Tehnični podatki

Napajalna napetost = 230 VAC, 50 Hz  
 Lastna poraba = <1 VA  
 Tipalo T1 = Pt1000 (1080 Ω @ 20 °C)  
 Navor = 6 Nm  
 Kot obračanja = 2 min/90 °  
 Tip regulacije = PID  
 Razred programa = A  
 Zaščitni razred = I  
 Stopnja zaščite = IP42  
 Dimenzije (D x Š x V) = 103 x 84 x 92 mm  
 Temperatura skladiščenja = -20 + 65 °C  
 Tempearura delovanja = 0 + 60 °C  
 Vlažnost = 0 + 80% RH, brez kondenziranja

## Manufacturer:

Termoventiler AB  
 Sweden  
 +46 (0)321-261 80  
 info@termoventiler.se  
 www.thermomatic.eu

## Subsidiary:

TV Termoventiler GmbH  
 Germany  
 +49 (0)3722 505 700  
 info@termoventiler.de  
 www.thermomatic.eu

