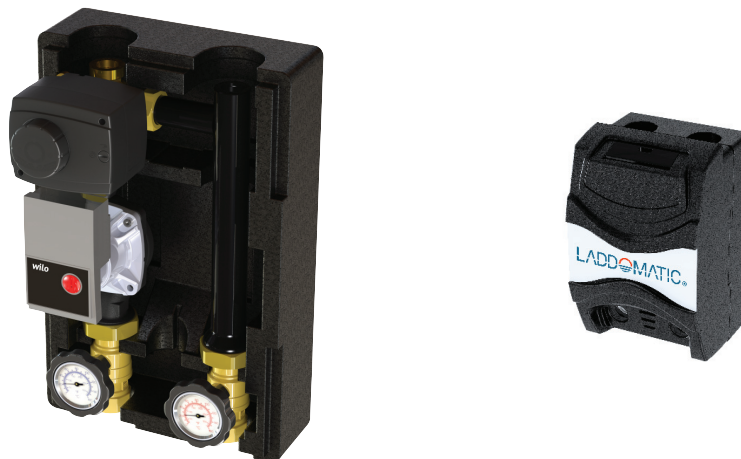


# LADDOMATIC® 125

Motorised charging and anti-condensation group.



Laddomatic 125 is a series of motorised charging groups for biofuel boilers based on our trusted mixing valves and our renowned Thermomatic range.

- The charging groups have a capacity of up to 70 kW for DN25 and 170 kW for DN32.
- The unit increases the boiler's efficiency by rapidly ensuring that the correct operating temperature is reached.
- The charging groups raise the return temperature to the boiler, which protects the boiler from corrosion and extends its life.
- Our Thermomatic range optimises control perfectly for all kinds of systems.
- The accumulator tank is charged at a low flow in order to ensure that perfect separation is achieved.
- The highly efficient energy-saving pump, together with dense insulation, provides an energy-efficient charging group.
- Easy installation through standardised installation dimensions and connections.
- Wall bracket included as standard.

## Technical data DN25

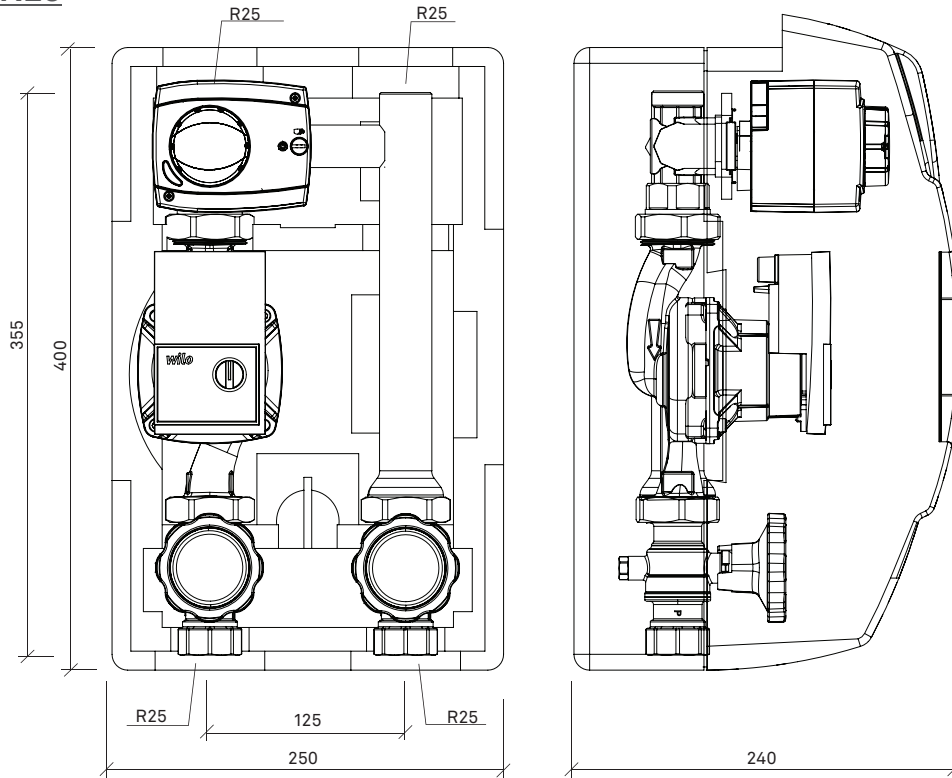
Actuator:	Without actuator <b>Thermomatic TVM</b> <b>Thermomatic CC</b>
Pump	6 m, 180 mm
Connections:	R25
Kvs value:	10,0
Max. boiler output:	<b>70 kW</b>

## Technical data DN32

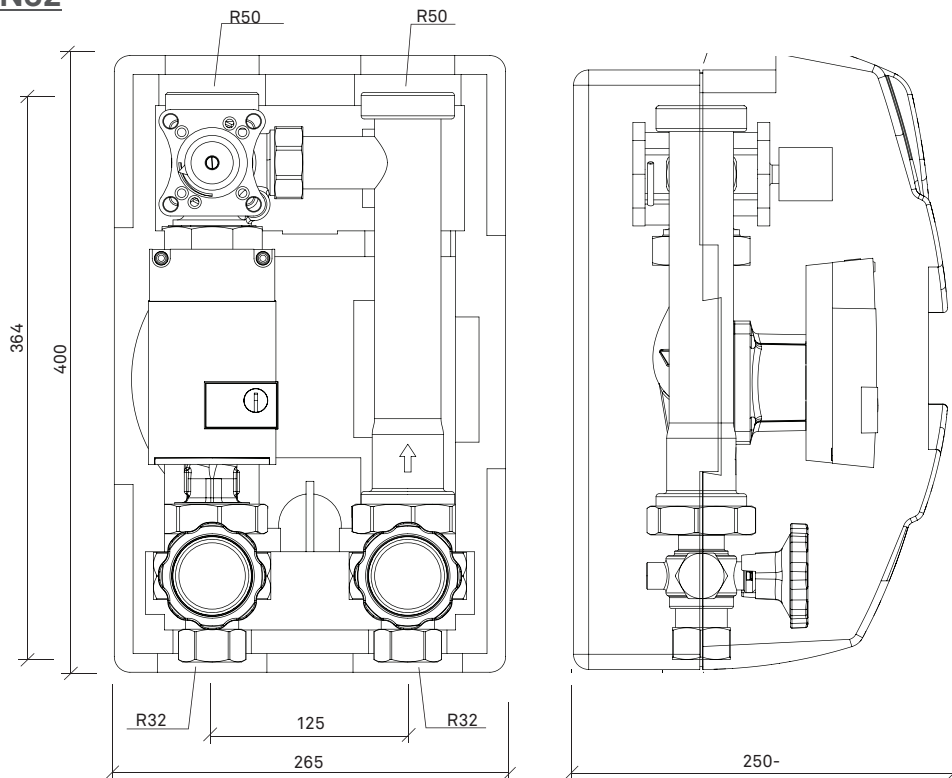
Actuator:	Without actuator <b>Thermomatic TVM</b> <b>Thermomatic CC</b>
Pump:	7,5 m, 180 mm (max 95 kW) 10 m, 180 mm (max 170 kW)
Connections:	R32
Kvs value:	17,0
Max. boiler output:	<b>170 kW</b>

## Dimensions and connections

### DN25



### DN32



**Accessories**  
See separate brochure.